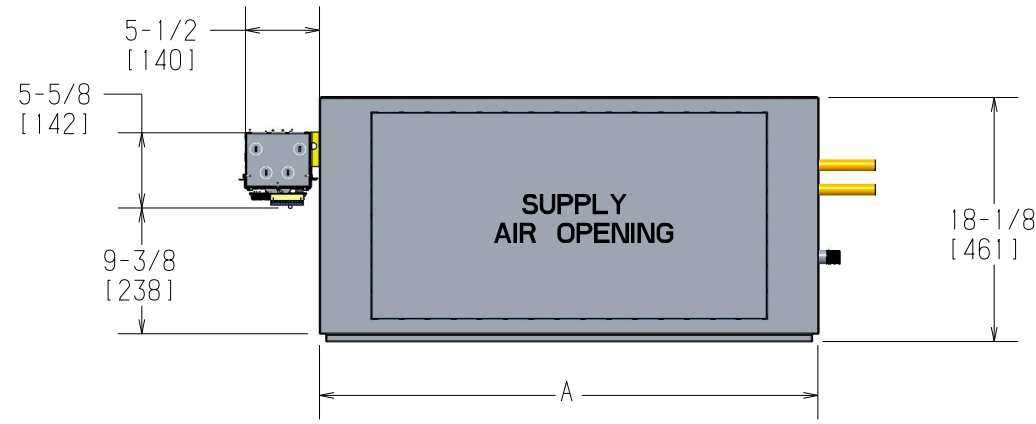
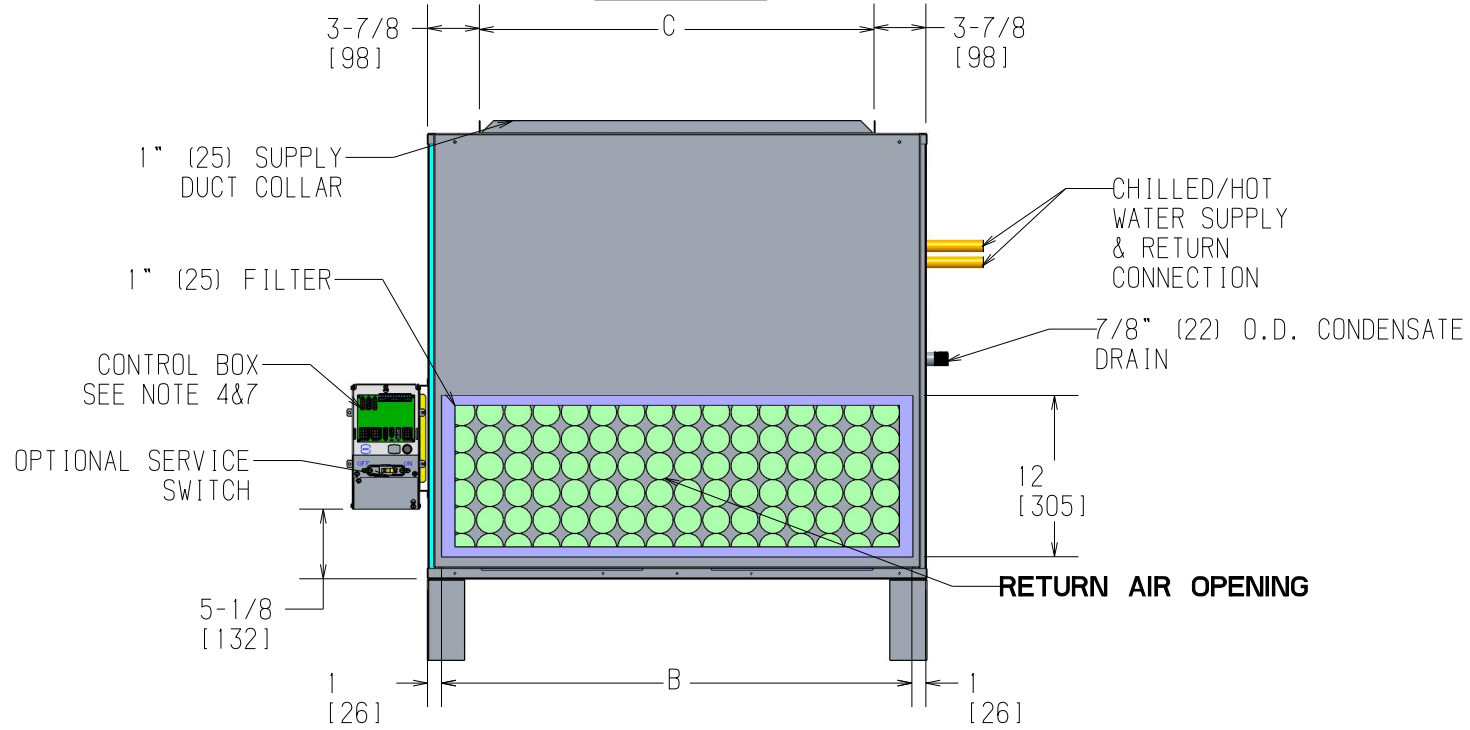


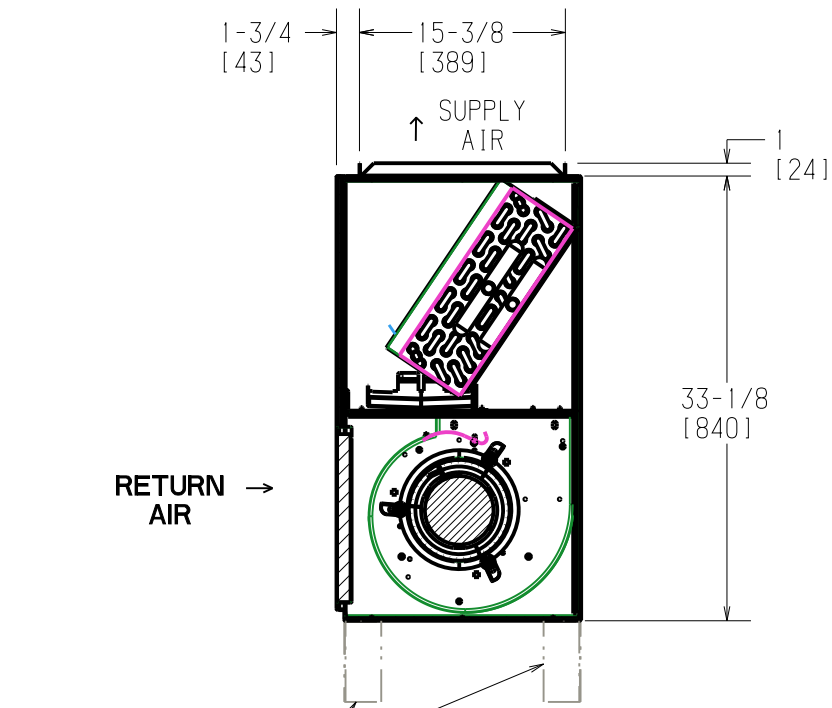
REVISION HISTORY		
REV	DATE	ECN
-		21-0295



TOP VIEW




FRONT VIEW



RIGHT SIDE VIEW

- NOTES:
1. RH COIL SHOWN. LH OPPOSITE.
 2. ALL DIMENSIONS ARE +/- .25 (6) . DRAWING NOT TO SCALE.
 3. PRODUCT SPECIFICATIONS ARE SUBJECT TO CHANGE WITHOUT NOTICE.
 4. CONTROL BOX SIZE AND POSITION MAY VARY (CONSULT FACTORY)
 5. POSITION MAY VARY.
 6. SERVICE ACCESS IS LOCATED ON THE FRONT OF THE CONTROL BOX.
 7. KNOCKOUTS ON THE BOTTOM AND SIDE OF THE CONTROL BOX FOR INCOMING POWER CONNECTIONS

Unit Model	Dimensions - Inches (Millimeters)			Quantity/Unit	
	A	B	C	Blower	Motor
VBHW 06	23 (584)	21 (533)	15 (381)	1	1
VBHW 08	28 (711)	26 (660)	20 (508)	1	1
VBHW 10	32 (813)	30 (762)	24 (610)	1	1
VBHW 12	37 (940)	35 (889)	29 (737)	2	2
VBHW 14	42 (1067)	40 (1016)	34 (864)	2	2
VBHW 16	47 (1194)	45 (1143)	39 (991)	2	2
VBHW 18	52 (1321)	50 (1270)	44 (1118)	2	2
VBHW 20	56 (1422)	54 (1372)	48 (1220)	2	2



Perfect Fit.
Uncommonly Fast.

TITLE			
HIGH PERFORMANCE VERTICAL CASED TOP SPLY (VBHW)			
DWC NO			REV
			-
DRAWN	DATE	APPROVED	DATE