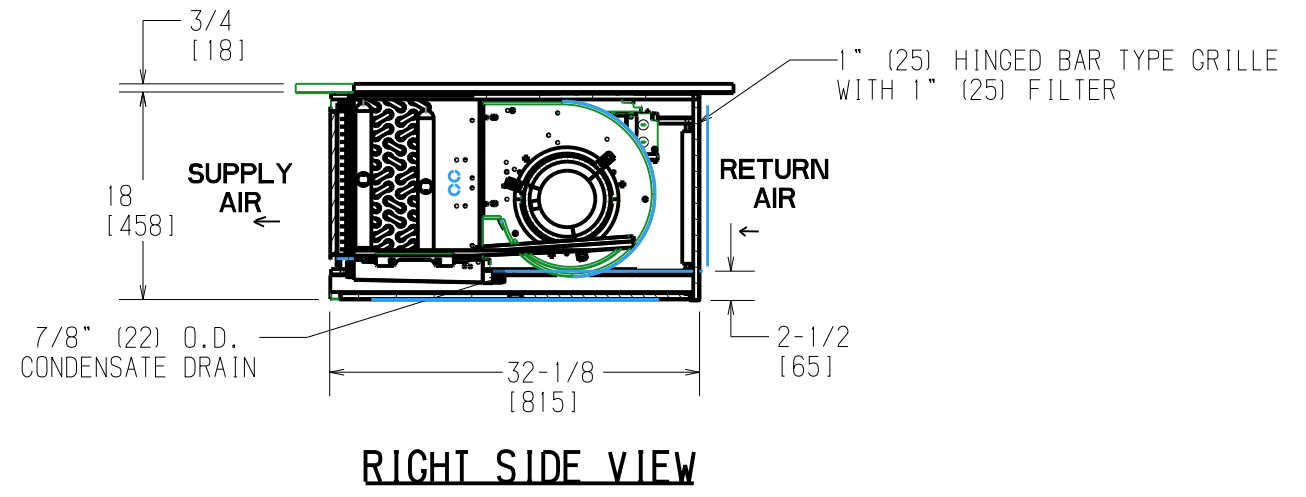
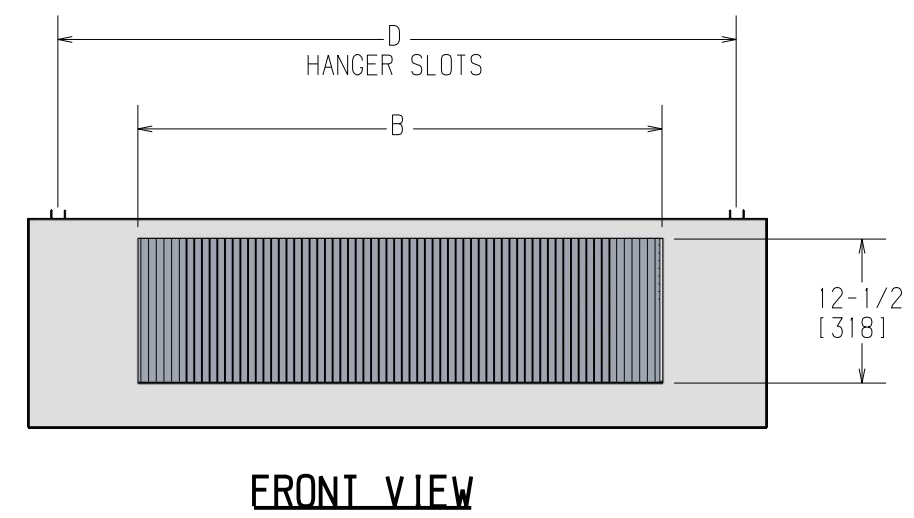
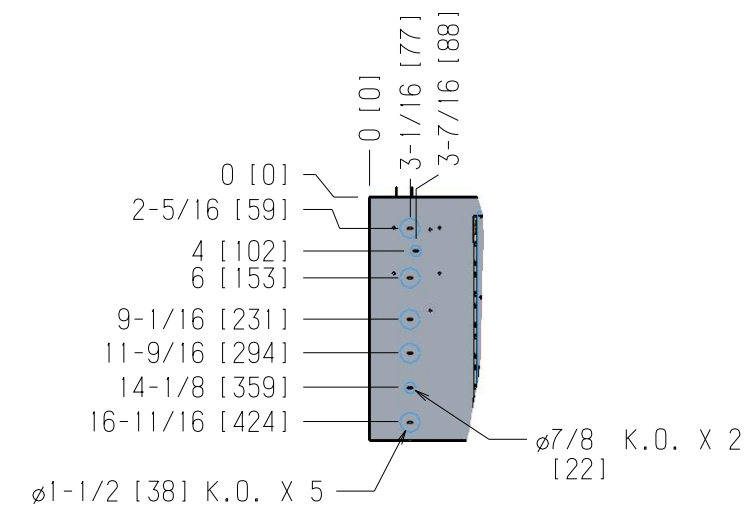
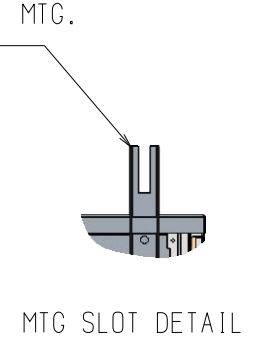
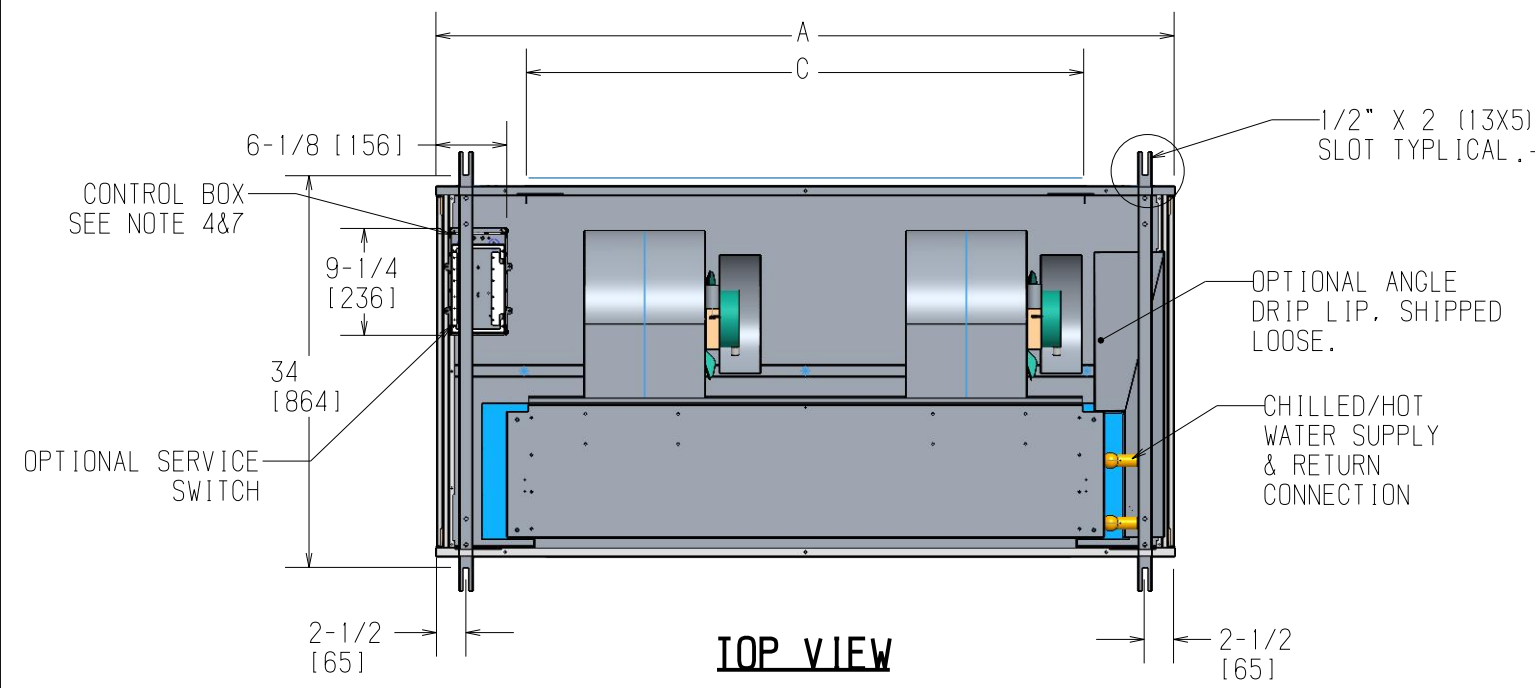



| REVISION HISTORY | | |
|------------------|------|---------|
| REV | DATE | ECN |
| - | | 21-0295 |



- NOTES:
1. RH COIL SHOWN. LH OPPOSITE.
 2. ALL DIMENSIONS ARE +/- .25 (6). DRAWING NOT TO SCALE.
 3. PRODUCT SPECIFICATIONS ARE SUBJECT TO CHANGE WITHOUT NOTICE.
 4. CONTROL BOX SIZE AND POSITION MAY VARY (CONSULT FACTORY)
 5. POSITION MAY VARY.
 6. SERVICE ACCESS IS LOCATED ON THE FRONT OF THE CONTROL BOX.
 7. KNOCKOUTS ON THE BOTTOM AND SIDE OF THE CONTROL BOX FOR INCOMING POWER CONNECTIONS
 8. DRIP LIP RECOMMENDED. REQUIRED WHEN VLVE PKG IS ORDERED.

| Unit Model | Dimensions - Inches (Millimeters) | | | | Quantity/Unit | |
|------------|-----------------------------------|-----------|-----------|-----------|---------------|-------|
| | A | B | C | D | Blower | Motor |
| HDHW 06 | 31 (787) | 13 (330) | 14 (356) | 26 (660) | 1 | 1 |
| HDHW 08 | 36 (914) | 18 (457) | 20 (508) | 31 (787) | 1 | 1 |
| HDHW 10 | 40 (1016) | 22 (558) | 24 (610) | 35 (889) | 1 | 1 |
| HDHW 12 | 45 (1143) | 27 (686) | 28 (711) | 40 (1016) | 2 | 2 |
| HDHW 14 | 50 (1270) | 32 (813) | 34 (864) | 45 (1143) | 2 | 2 |
| HDHW 16 | 55 (1270) | 37 (940) | 38 (965) | 50 (1270) | 2 | 2 |
| HDHW 18 | 60 (1524) | 42 (1067) | 44 (1118) | 55 (1397) | 2 | 2 |
| HDHW 20 | 64 (1626) | 46 (1168) | 48 (1219) | 59 (1499) | 2 | 2 |



Perfect Fit.
Uncommonly Fast.

TITLE
HIGH PERFORMANCE CABINET (HDHW)

| | | | |
|--------|------|----------|----------|
| DWC NO | DATE | APPROVED | REV - |
| DRAWN | DATE | APPROVED | DATE |