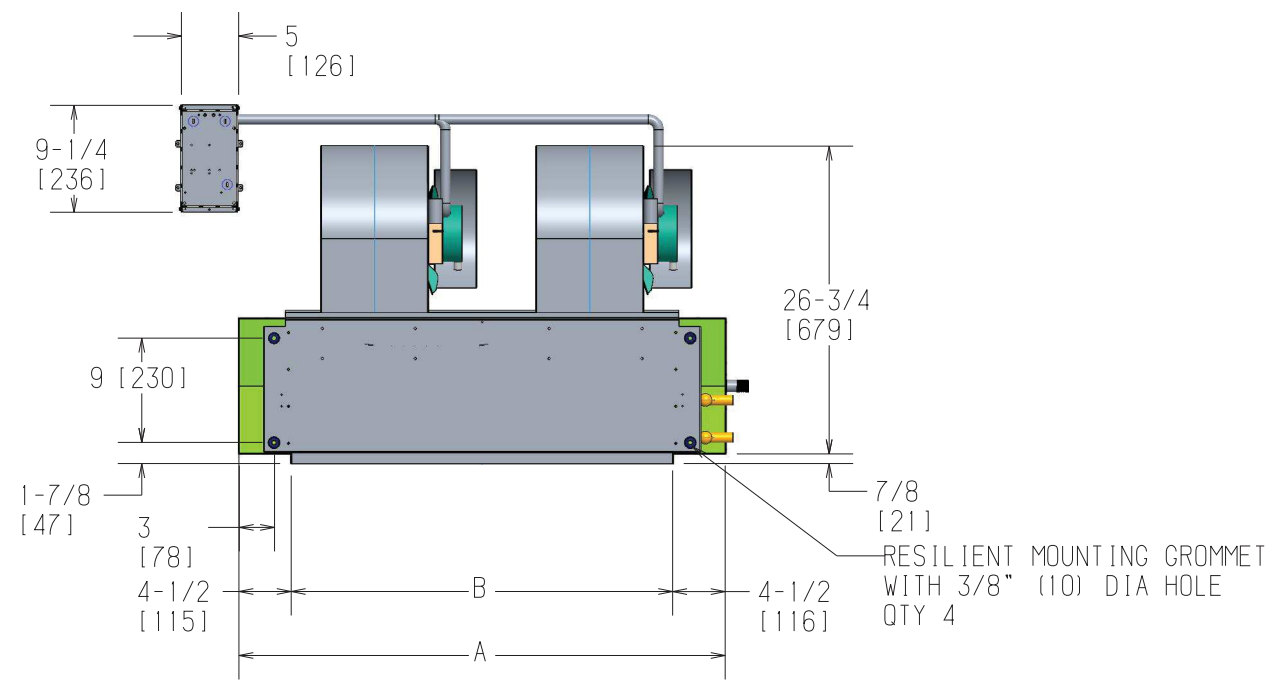
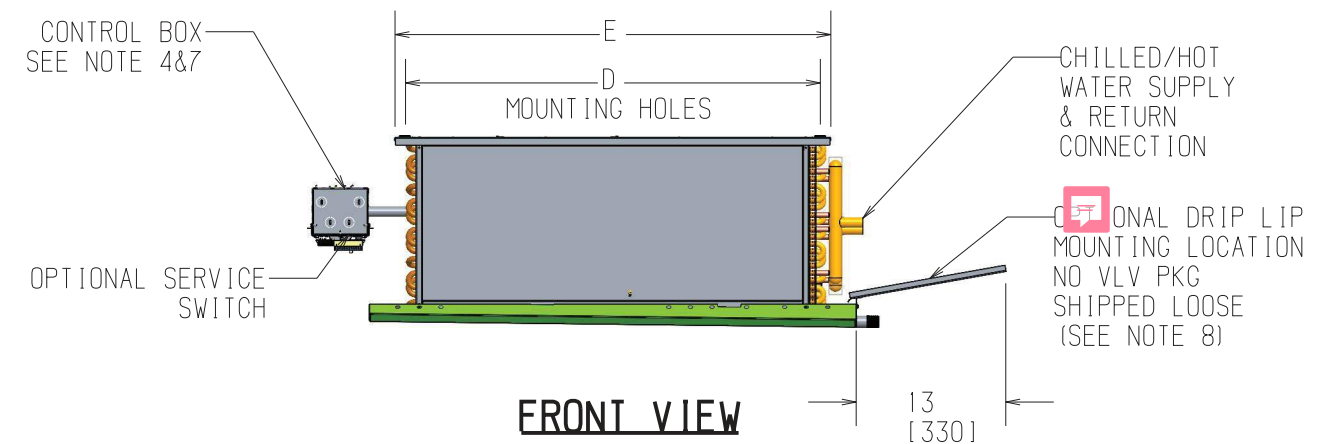


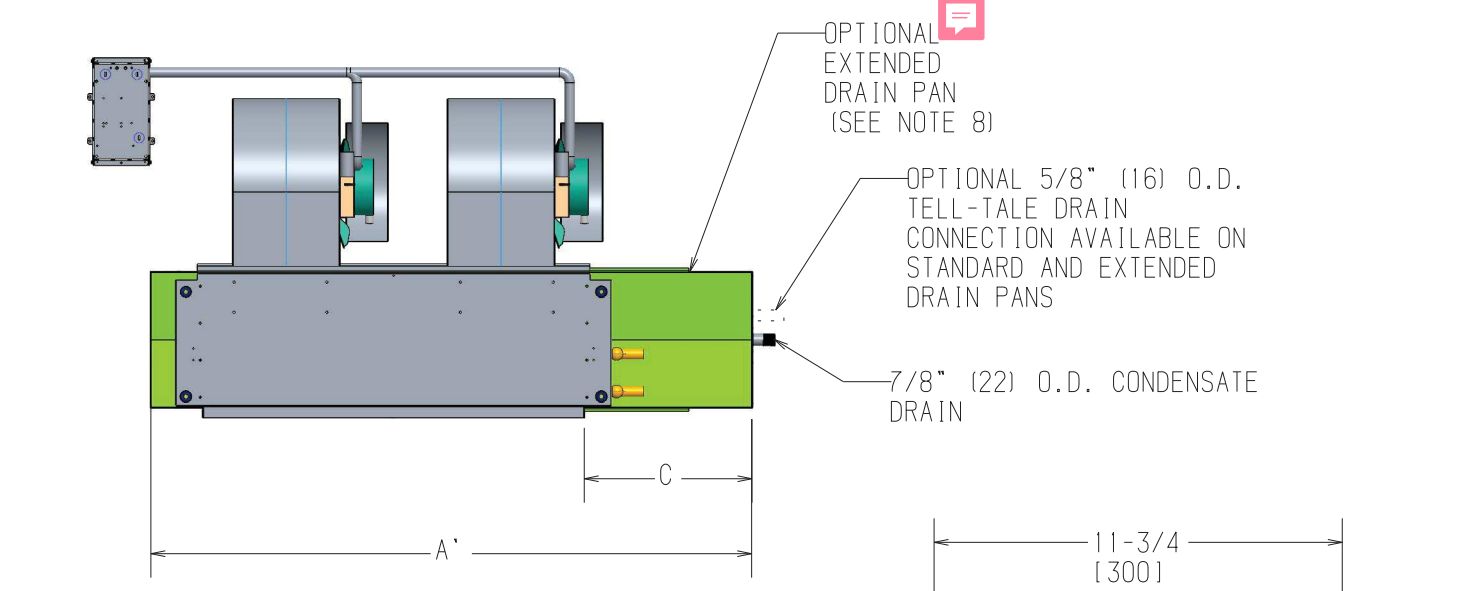
REVISION HISTORY		
REV	DATE	ECN
-		21-0295



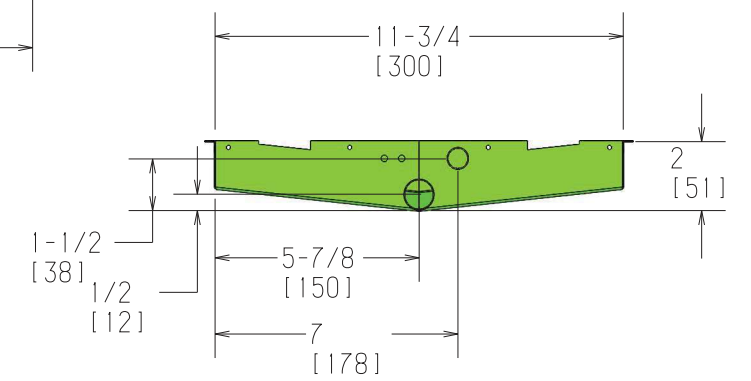
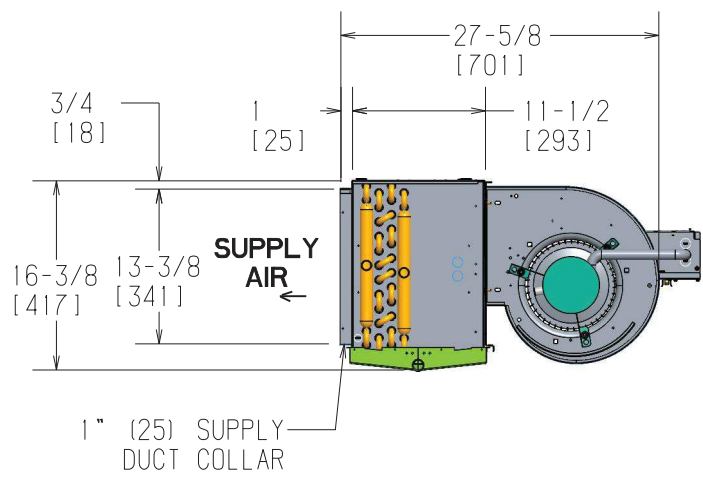
TOP VIEW



FRONT VIEW



RIGHT SIDE VIEW



DRAIN OUTLET

- NOTES:
1. RH COIL SHOWN. LH OPPOSITE.
 2. ALL DIMENSIONS ARE +/- .25 (6) . DRAWING NOT TO SCALE.
 3. PRODUCT SPECIFICATIONS ARE SUBJECT TO CHANGE WITHOUT NOTICE.
 4. CONTROL BOX SIZE AND POSITION MAY VARY (CONSULT FACTORY)
 5. POSITION MAY VARY.
 6. SERVICE ACCESS IS LOCATED ON THE FRONT OF THE CONTROL BOX.
 7. KNOCKOUTS ON THE BOTTOM AND SIDE OF THE CONTROL BOX FOR INCOMING POWER CONNECTIONS
 8. DRIP LIP RECOMMENDED. REQUIRED WHEN VLV PKG IS ORDERED

Unit Model	Dimensions - Inches (Millimeters)						Quantity/Unit	
	A	A'	B	C	D	E	Blower	Motor
HBHW 06	23 (584)	32 (813)	14 (356)	13-1/2 (343)	17 (432)	18-3/4 (476)	1	1
HBHW 08	28 (711)	37 (940)	19 (483)	13-1/2 (343)	22 (559)	23-3/4 (603)	1	1
HBHW 10	32 (813)	42 (1067)	23 (584)	14-1/2 (368)	26 (660)	27-3/4 (705)	1	1
HBHW 12	37 (940)	47 (1194)	28 (711)	14-1/2 (368)	31 (787)	32-3/4 (832)	2	2
HBHW 14	42 (1067)	52 (1321)	33 (838)	14-1/2 (368)	36 (914)	37-3/4 (959)	2	2
HBHW 16	47 (1194)	56 (1422)	38 (965)	13-1/2 (343)	41 (1041)	42-3/4 (1086)	2	2
HBHW 18	52 (1321)	52 (1321)	43 (1092)	14-1/2 (368)	46 (1168)	47-3/4 (1213)	2	2
HBHW 20	56 (1422)	66 (1676)	47 (1194)	14-1/2 (368)	50 (1270)	51-3/4 (1314)	2	2



Perfect Fit.
Uncommonly Fast.

TITLE
HIGH PERFORMANCE HIDEAWAY (HBHW)

DWC NO		REV	
		-	
DRAWN	DATE	APPROVED	DATE