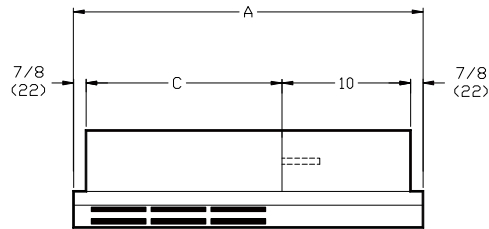
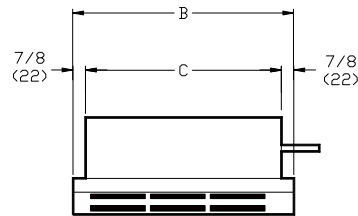


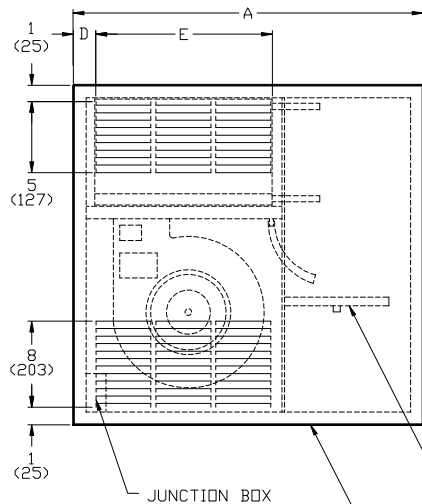
REVISION HISTORY		
REV	DATE	ECN
-		07-0002



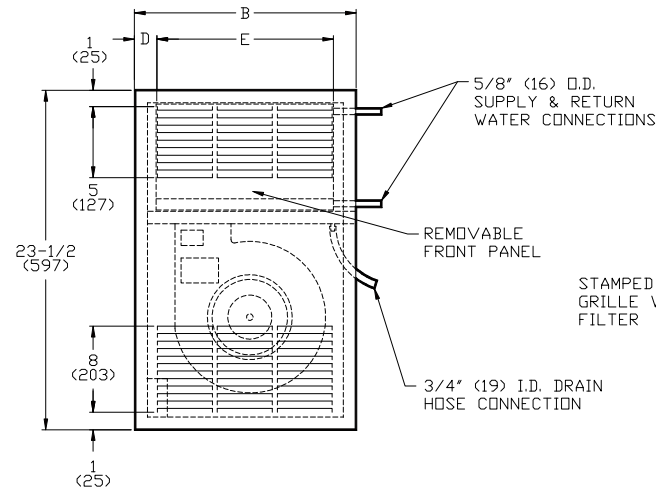
TOP VIEW
(EXTENDED MODEL STW)



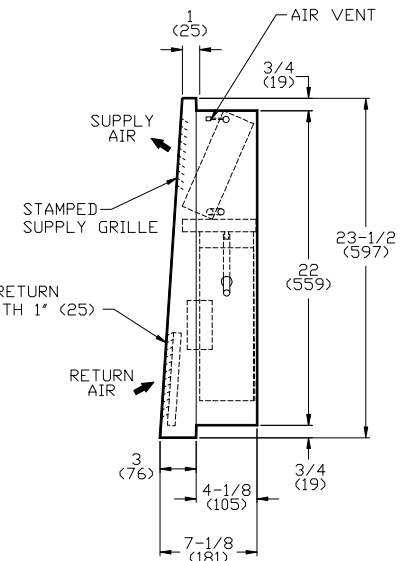
TOP VIEW
(STANDARD MODEL STY)



FRONT VIEW
(EXTENDED MODEL STW)



FRONT VIEW
(STANDARD MODEL STY)



RIGHT SIDE VIEW

NOTES:

1. R.H. SHOWN, L.H. OPPOSITE.
2. ALL DIMENSIONS $\pm 1/4"$ (6).
3. PRODUCT SPECIFICATIONS ARE SUBJECT TO CHANGES WITHOUT NOTICE.

NOTE: CONTROLS ARE REMOTE WALL MOUNTED

UNIT MODEL	DIMENSIONS-INCHES (MM)					QUANTITY/UNIT	
	A	B	C	D	E	BLWR	MOTOR
VWR01	-	15-3/4 (400)	14 (356)	1-1/2 (38)	12-3/4 (324)	1	1
VWR03	-	29-3/4 (756)	28 (711)	1-15/16 (49)	25-7/8 (657)	2	2
VWR01	25-3/4 (654)	-	14 (356)	1-1/2 (38)	12-3/4 (324)	1	1
VWR03	39-3/4 (1010)	-	28 (711)	1-15/16 (49)	25-7/8 (657)	2	2

TITLE	
VERTICAL RECESSED CABINET	
MODEL VWR	
JOB NUMBER	
JOB NAME	
DRAWN BY	
REVISION	SHEET
-	1 OF 1