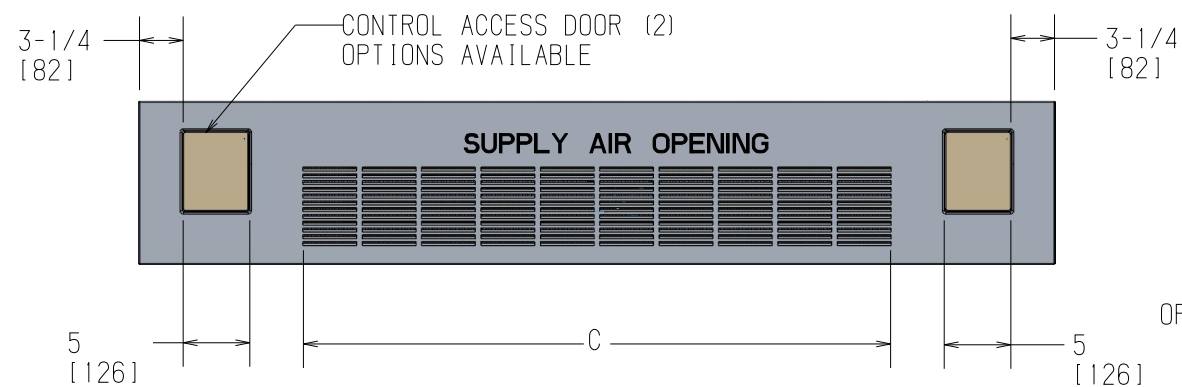
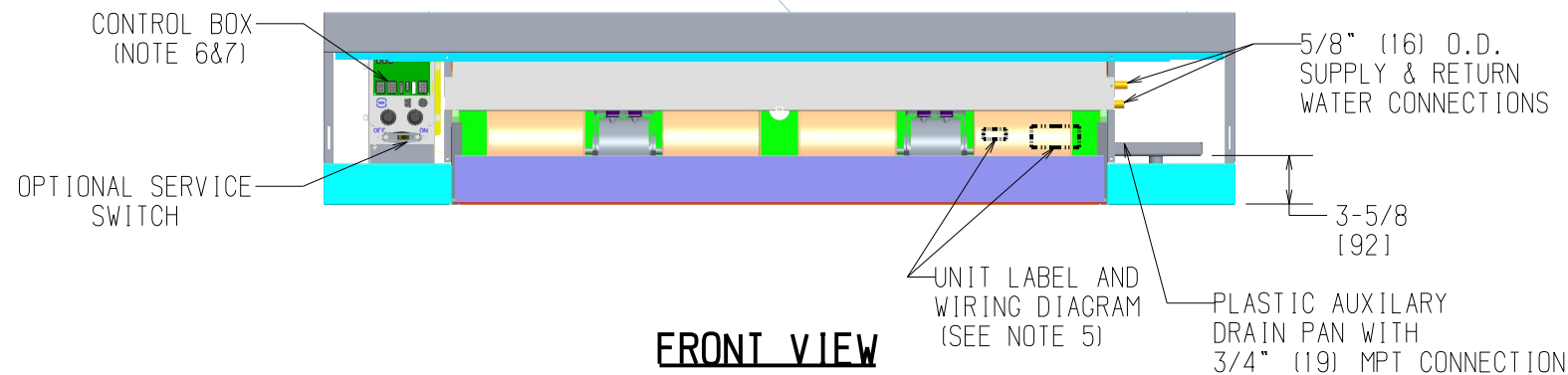


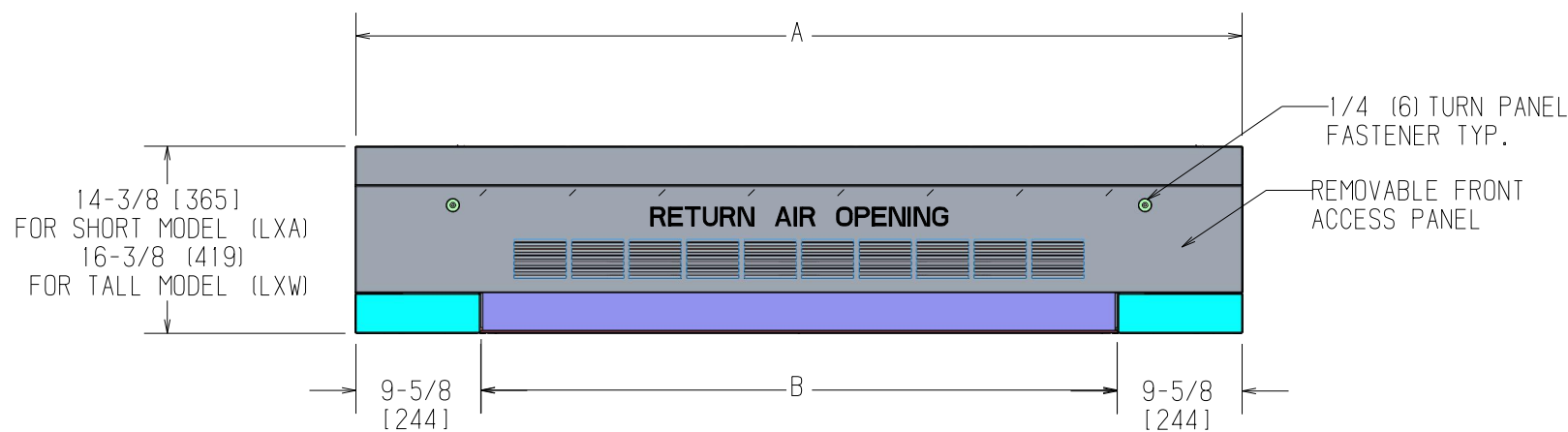
REVISION HISTORY		
REV	DATE	ECN
		21-0295
		21-0148



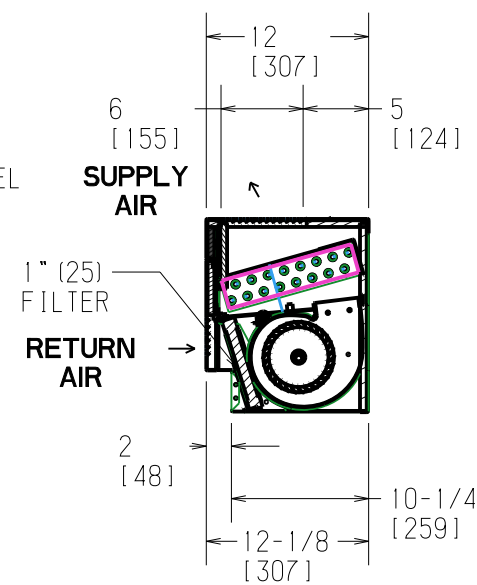
TOP VIEW



FRONT VIEW (WITHOUT ACCESS PANEL)




FRONT VIEW



RIGHT SIDE VIEW

- NOTES:
1. RH COIL SHOWN. LH OPPOSITE.
 2. ALL DIMENSIONS ARE +/- .25 (6). DRAWING NOT TO SCALE.
 3. PRODUCT SPECIFICATIONS ARE SUBJECT TO CHANGE WITHOUT NOTICE.
 4. CONTROL BOX SIZE AND POSITION MAY VARY (CONSULT FACTORY)
 5. POSITION MAY VARY.
 6. SERVICE ACCESS IS LOCATED ON THE FRONT OF THE CONTROL BOX.
 7. KNOCKOUTS ON THE BOTTOM AND SIDE OF THE CONTROL BOX FOR INCOMING POWER CONNECTIONS

Unit Model	Dimensions - Inches (Millimeters)			Quantity/Unit	
	A	B	C	Blower	Motor
VSP 02	41 (1041)	22 (559)	17 (432)	2	1
VSP 03	46 (1168)	27 (686)	21-1/2 (546)	2	1
VSP 04	54 (1372)	35 (889)	30-1/4 (768)	2	1
VSP 06	68 (1727)	49 (1245)	43-3/8 (1102)	4	2



TITLE VERT LOWBOY CABINET (VSP) 42VE/VX			
DWG. NO.			PCV
DRAWN	DATE	APPROVED	DATE