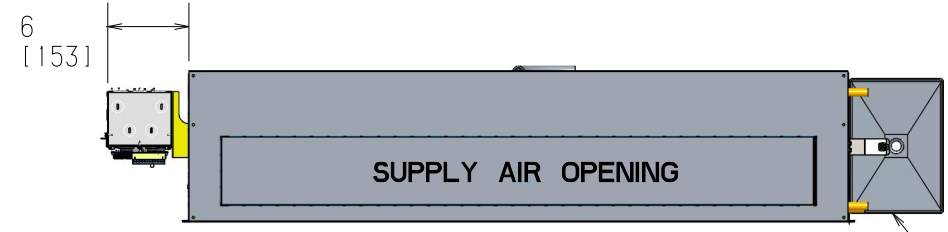
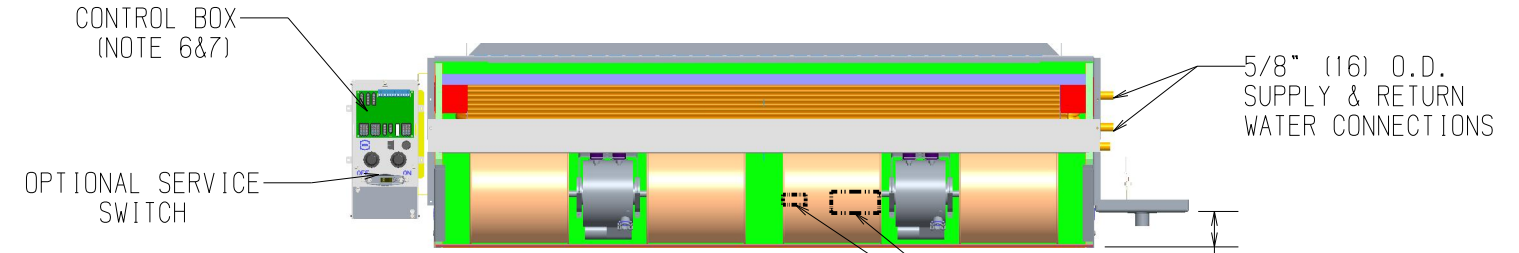


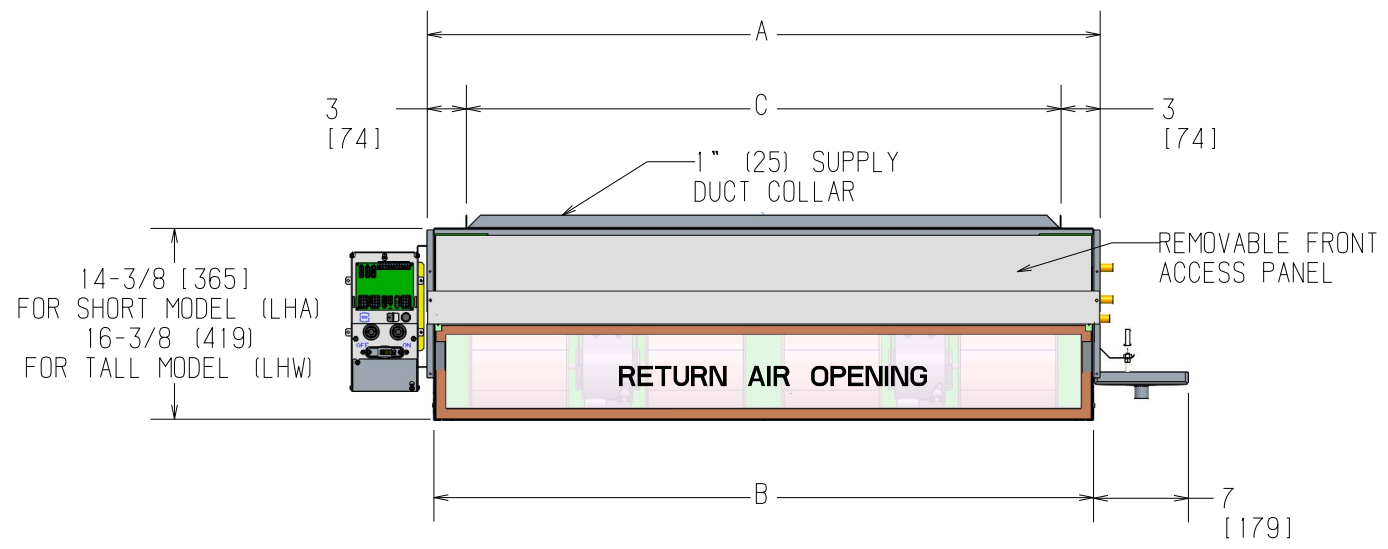
REVISION HISTORY		
REV	DATE	ECN
-		21-0295



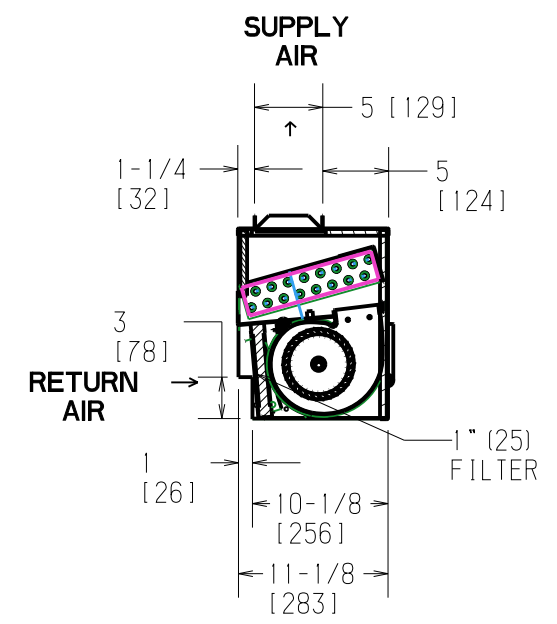
TOP VIEW



**FRONT VIEW
(WITHOUT ACCESS PANEL)**



FRONT VIEW



RIGHT SIDE VIEW

- NOTES:
1. RH COIL SHOWN. LH OPPOSITE.
 2. ALL DIMENSIONS ARE +/- .25 (6). DRAWING NOT TO SCALE.
 3. PRODUCT SPECIFICATIONS ARE SUBJECT TO CHANGE WITHOUT NOTICE.
 4. CONTROL BOX SIZE AND POSITION MAY VARY (CONSULT FACTORY)
 5. POSITION MAY VARY.
 6. SERVICE ACCESS IS LOCATED ON THE FRONT OF THE CONTROL BOX.
 7. KNOCKOUTS ON THE BOTTOM AND SIDE OF THE CONTROL BOX FOR INCOMING POWER CONNECTIONS

Unit Model	Dimensions - Inches (Millimeters)			Quantity/Unit	
	A	B	C	Blower	Motor
VSG 02	23 (584)	22 (559)	17 (432)	2	1
VSG 03	28 (711)	27 (686)	22 (559)	2	1
VSG 04	36 (914)	35 (889)	30 (762)	2	1
VSG 06	50 (1270)	49 (1245)	44 (1118)	4	2



TITLE			
VERT LOWBOY HIDEAWAY (VSG)			
DWC NO			PCV
DRAWN	DATE	APPROVED	DATE