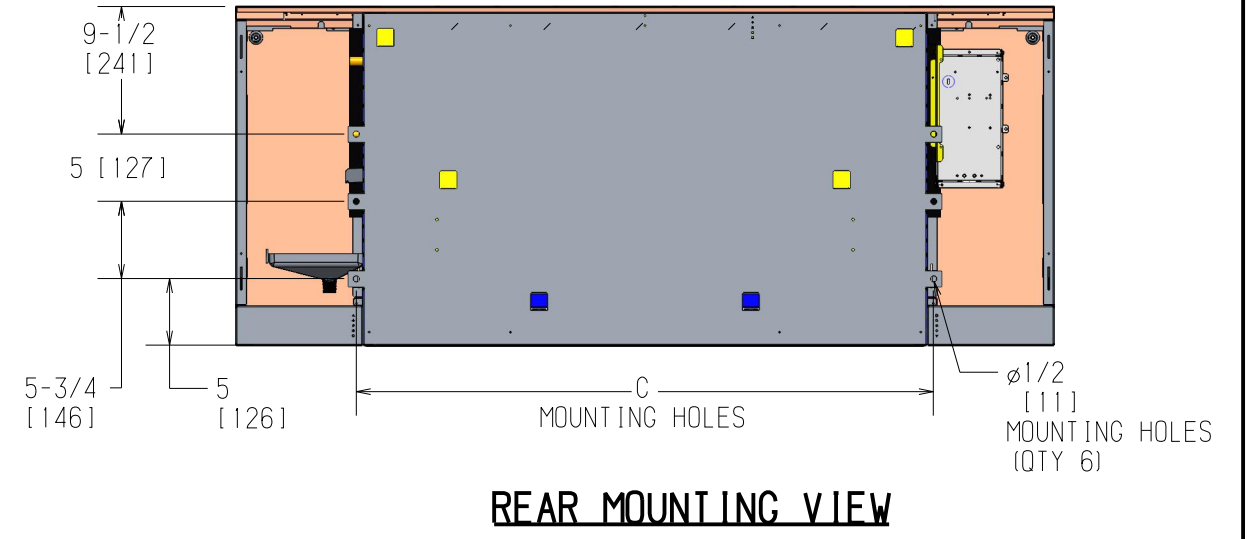
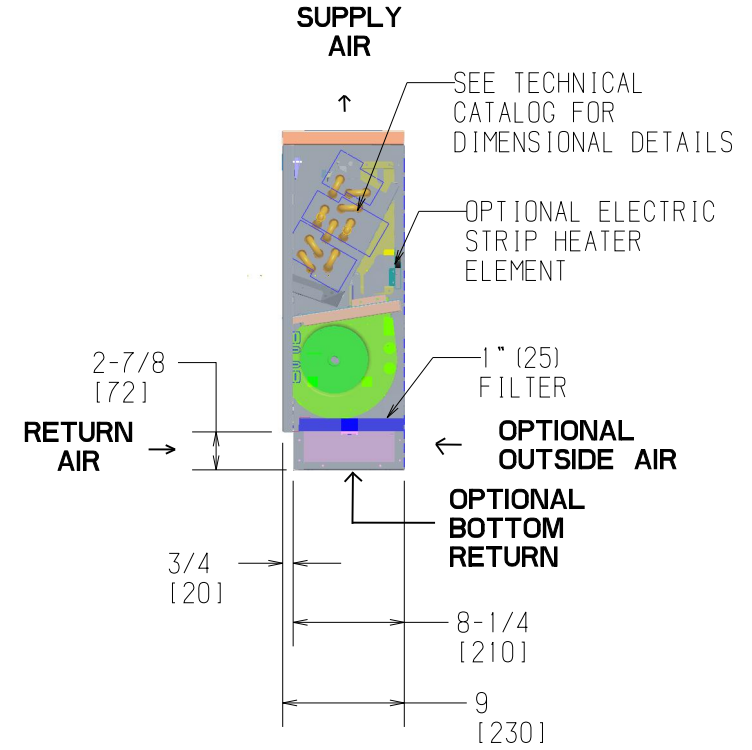
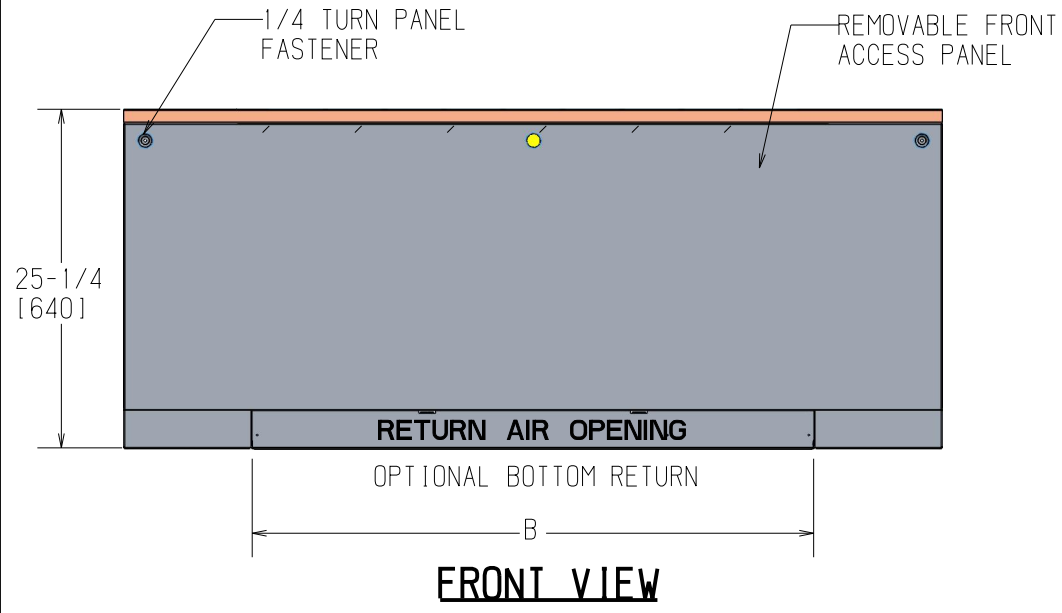
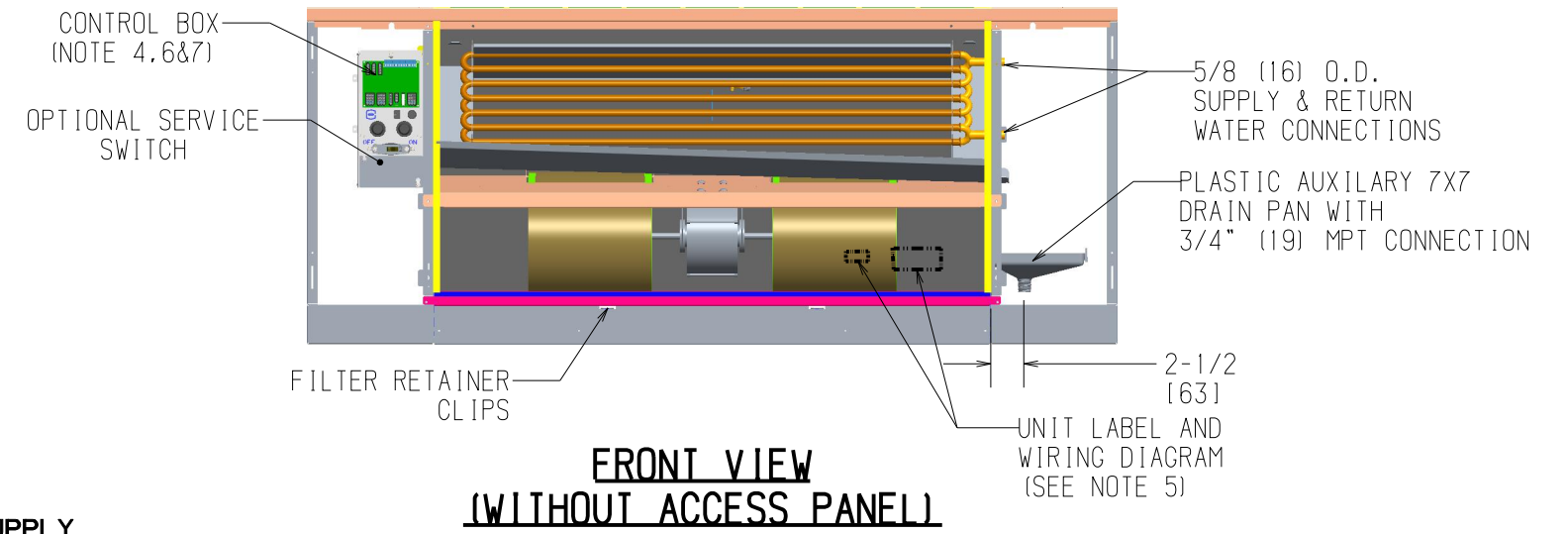
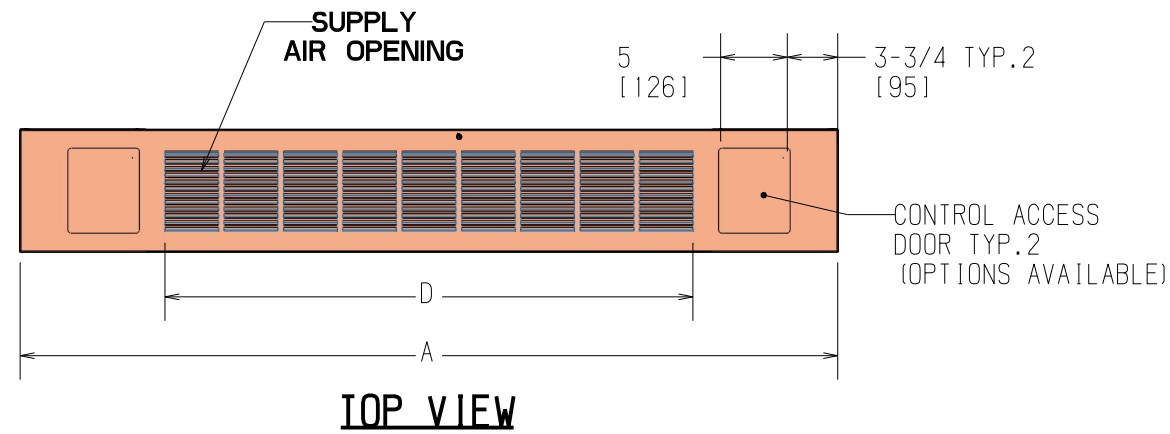


REVISION HISTORY		
REV	DATE	ECN
		22-0323
		23-0061



NOTES:

1. RH COIL SHOWN. LH OPPOSITE.
2. ALL DIMENSIONS ARE +/- .25 (6). DRAWING NOT TO SCALE.
3. PRODUCT SPECIFICATIONS ARE SUBJECT TO CHANGE WITHOUT NOTICE.
4. CONTROL BOX SIZE AND POSITION MAY VARY (CONSULT FACTORY)
5. POSITION MAY VARY.
6. SERVICE ACCESS IS LOCATED ON THE FRONT OF THE CONTROL BOX.
7. KNOCKOUTS ON THE BOTTOM AND SIDE OF THE CONTROL BOX FOR INCOMING POWER CONNECTIONS

Unit Model	Dimensions - Inches (Millimeters)				Quantity/Unit	
	A	B	C	D	Blower	Motor
VDW 02	41 (1041)	22 (559)	23 (584)	17-1/4 (438)	1	1
VDW 03	45 (1143)	26 (660)	27 (686)	21-1/2 (546)	1	1
VDW 04	51 (1295)	32 (813)	33 (838)	26 (660)	2	1
VDW 06	61 (1549)	42 (1067)	43 (1092)	39-1/4 (997)	2	1
VDW 08	63 (1600)	44 (1118)	45 (1143)	39-1/4 (997)	2	1
VDW 10	77 (1956)	58 (1473)	59 (1499)	52-1/2 (1334)	4	2
VDW 12	85 (2159)	66 (1676)	67 (1702)	61-1/4 (1556)	4	2

TITLE VERT CABINET TOP SPLY
OPTIONAL ELECTRIC HEAT SHOWN (VDW)

DWG NO _____ **REV** _____

DRAWN _____	DATE _____	APPROVED _____	DATE _____
--------------------	-------------------	-----------------------	-------------------