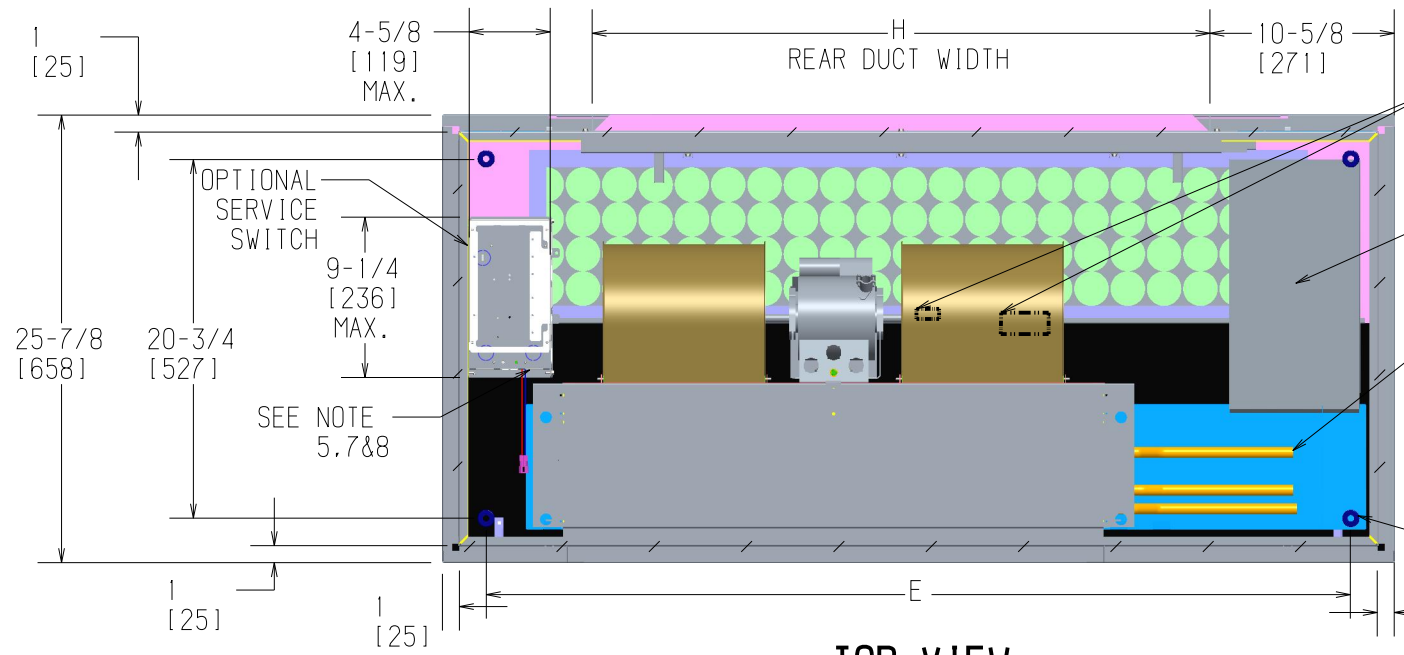
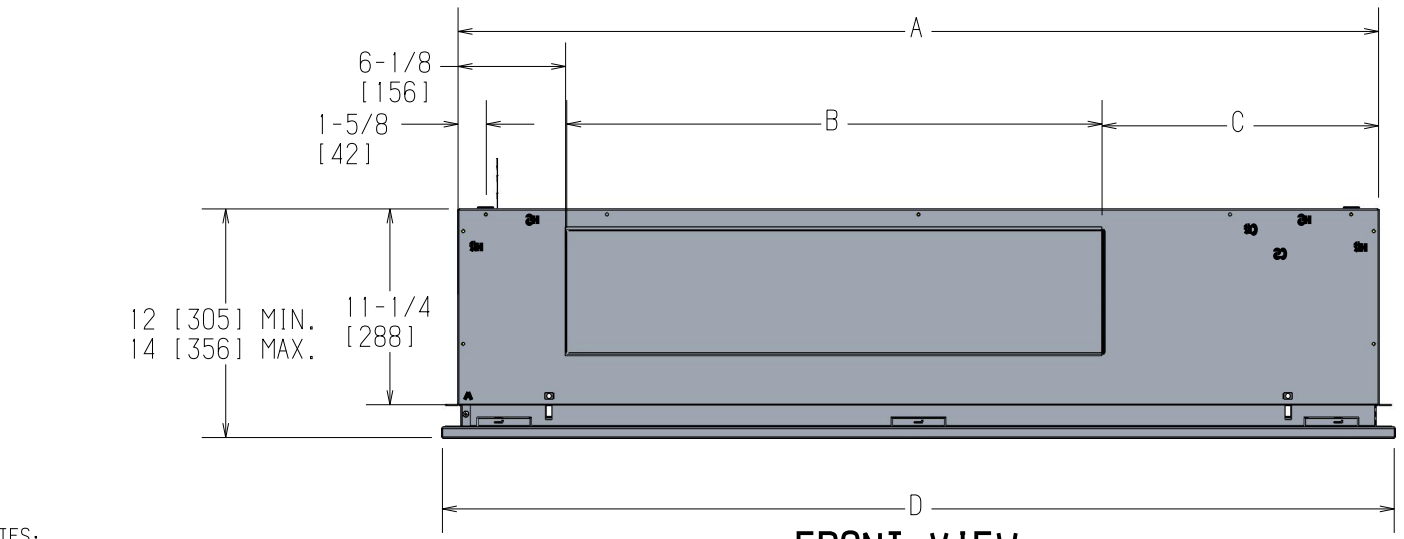


REVISION HISTORY		
REV	DATE	ECN
		18-0608
		20-0643
		21-0295

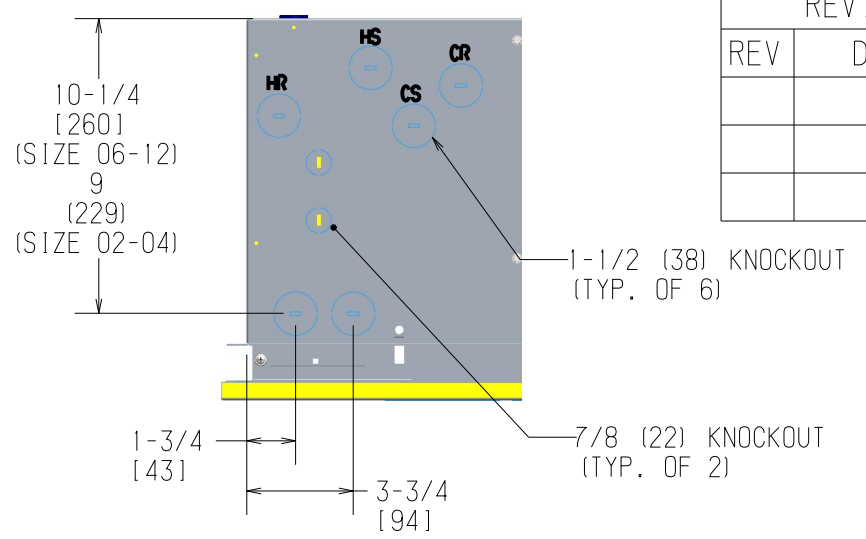


TOP VIEW



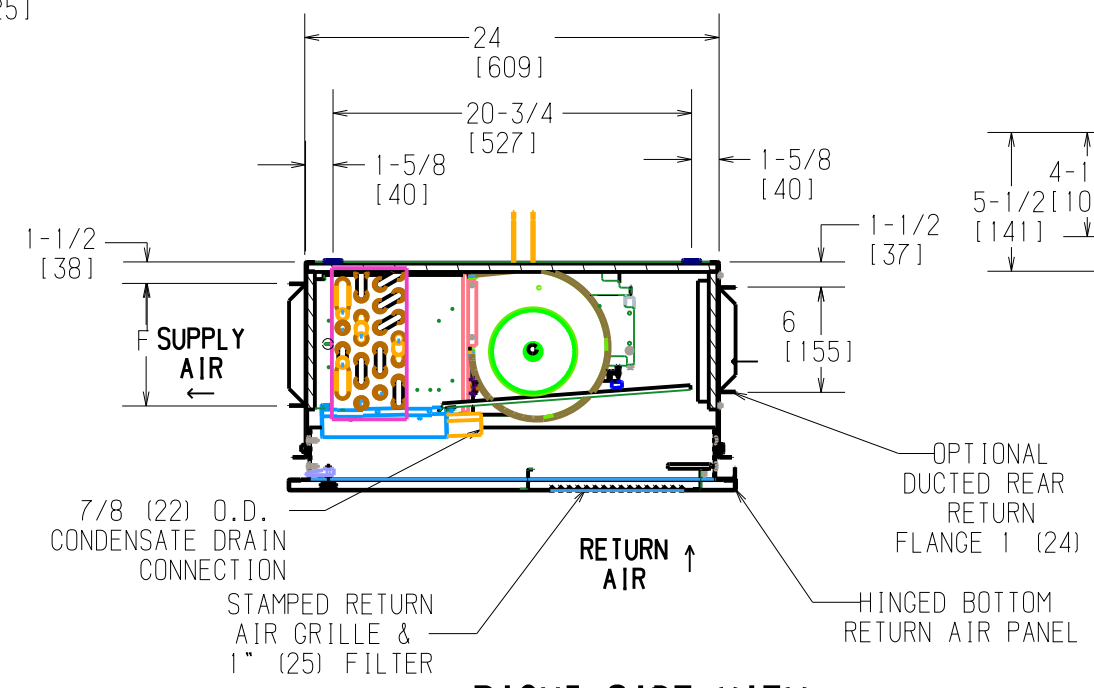
FRONT VIEW

- UNIT LABEL AND WIRING DIAGRAM (SEE NOTE 6)
- OPTIONAL "L" SHAPED DRIP LIP, SHIPPED LOOSE (NOTE 4)
- CHILLED/HOT WATER SUPPLY & RETURN CONNECTIONS (SEE SUPPLEMENTAL DRAWING FOR COIL STUBOUT LOCATIONS)
- RESILIENT MOUNTING GROMMET W/ 3/8 (10) DIA. HOLES (TYP. OF 4)

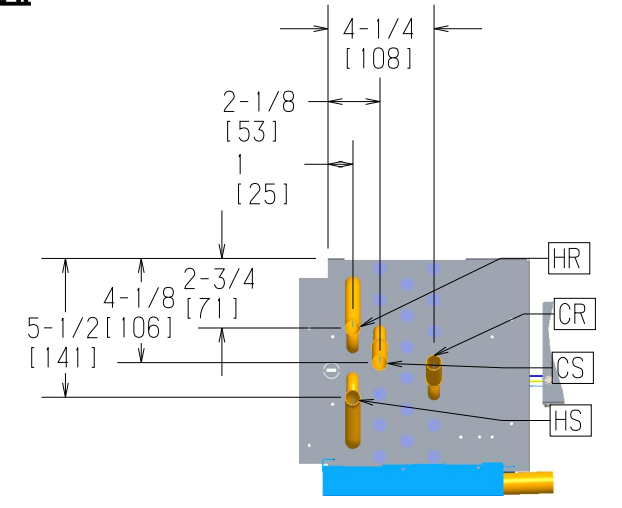


PARTIAL REAR VIEW

(TYPICAL BOTH SIDES)
SEE VLV PKG SUPPLEMENT FOR DIMS



RIGHT SIDE VIEW



DETAIL A
STUB OUT
LOCATIONS
FOR STANDARD
COIL

- NOTES:
1. RH SHOWN, LH OPPOSITE.
 2. ALL DIMENSIONS ARE +/- .25 (6). DRAWING NOT TO SCALE.
 3. PRODUCT SPECIFICATIONS ARE SUBJECT TO CHANGE WITHOUT NOTICE.
 4. DRIP LIP RECOMMENDED. PROVIDED WHEN VALVE PKG IS ORDERED.
 5. CONTROL BOX SIZE AND POSITION MAY VARY (CONSULT FACTORY)
 6. POSITION MAY VARY.
 7. SERVICE ACCESS IS LOCATED ON THE FRONT OF THE CONTROL BOX.
 8. KNOCKOUTS ON THE BOTTOM AND SIDE OF THE CONTROL BOX FOR INCOMING POWER CONNECTIONS
 9. TYPICAL SIZE 06 UNIT SHOWN WITH 1-MOTOR AND 2-BLWR - REFER TO TABLE FOR VARIATION.
 10. SEE VALVE PACKAGE SUPPLEMENTAL FOR PIPING TERMINATION.
 11. FIELD CONNECTION PIPES WILL BE SHIPPED LOOSE WITH VALVE PACKAGES.

Unit Model	Dimensions - Inches (Millimeters)							Quantity/Unit	
	A	B	C	D	E	F	H	BLWR	MOTOR
HWF 02	35 (889)	16 (406)	12-3/4 (324)	37 (940)	32 (813)	6 (152)	18-3/4 (476)	1	1
HWF 03	35 (889)	20 (508)	8-3/4 (225)	37 (940)	32 (813)	6 (152)	18-3/4 (476)	1	1
HWF 04	41 (1041)	26 (660)	8-3/4 (225)	43 (11092)	38 (965)	6 (152)	24-3/4 (629)	2	1
HWF 06	53 (1346)	31 (787)	15-3/4 (400)	55 (11397)	50 (1270)	7 (179)	35-3/4 (908)	2	1
HWF 08	53 (1346)	38 (965)	8-3/4 (225)	55 (11397)	50 (1270)	7 (179)	35-3/4 (908)	2	1
HWF 10	75 (1905)	52 (1321)	16-3/4 (425)	77 (1956)	72 (1829)	7 (179)	49-3/4 (1264)	4	2
HWF 12	75 (1905)	60 (1524)	8-3/4 (225)	77 (1956)	72 (1829)	7 (179)	49-3/4 (1264)	4	2

TITLE

HORIZONTAL TELESCOPING HIDEAWAY (HWF)

DWG NO _____ REV _____

DRAWN _____	DATE _____	APPROVED _____	DATE _____
-------------	------------	----------------	------------