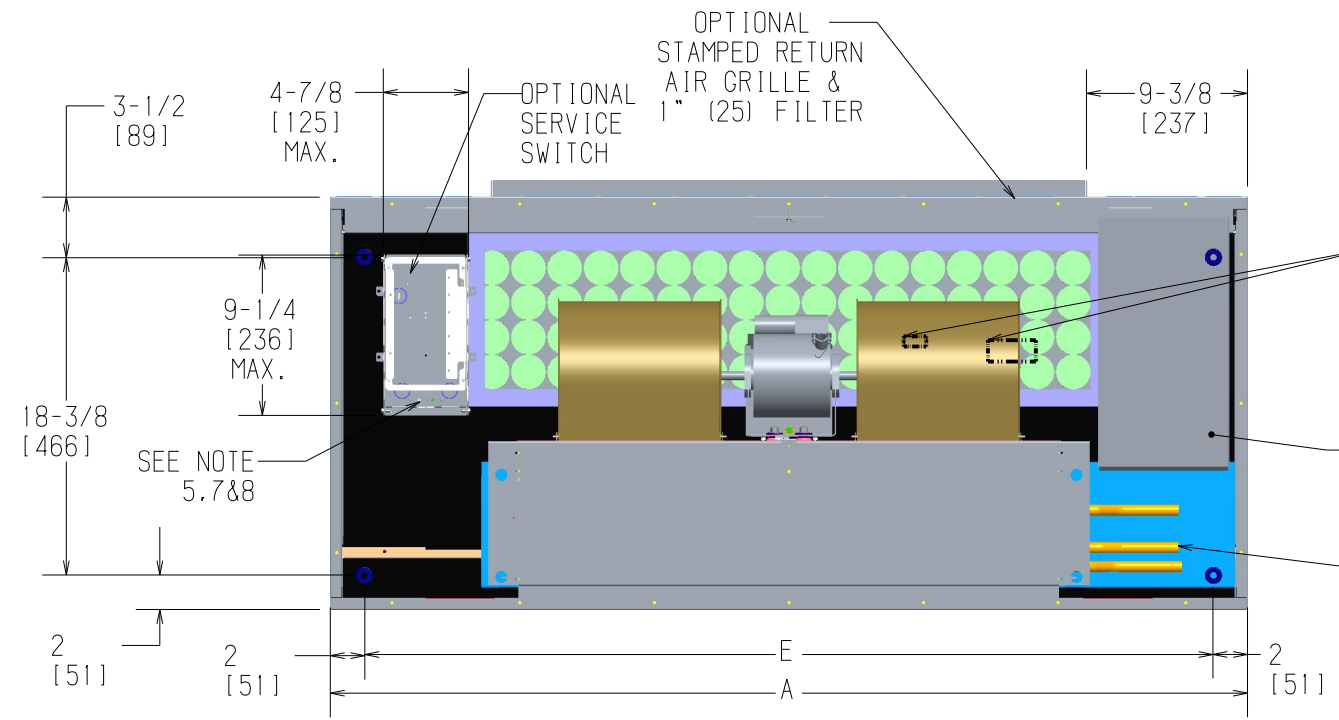
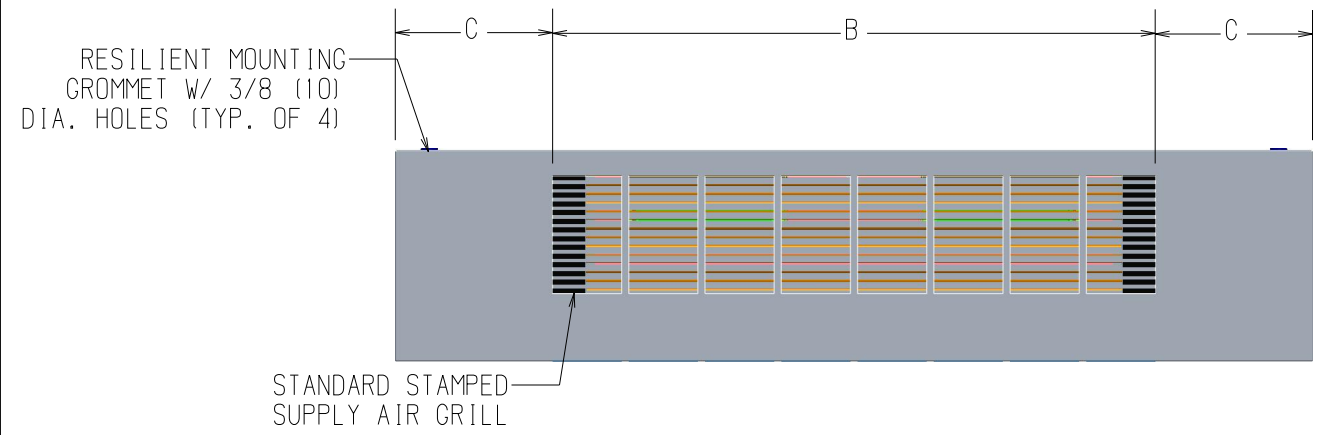


REVISION HISTORY		
REV	DATE	ECN
		18-0608
		20-0643
		21-0295



**TOP VIEW**

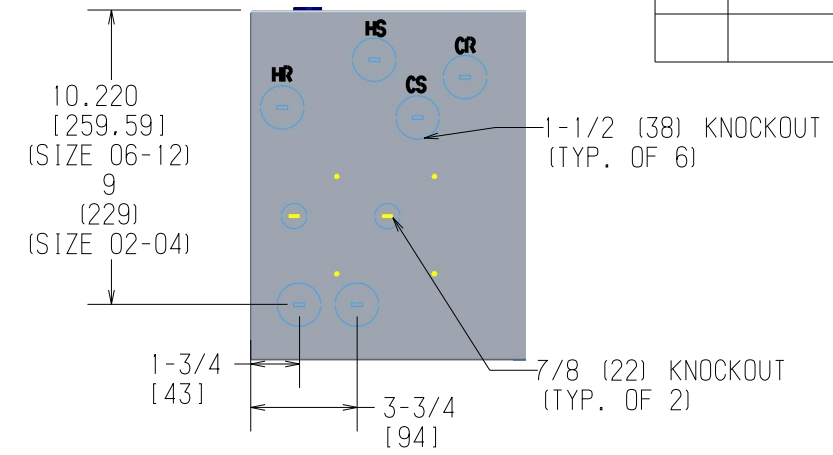


**FRONT VIEW**

UNIT LABEL AND WIRING DIAGRAM (SEE NOTE 6)

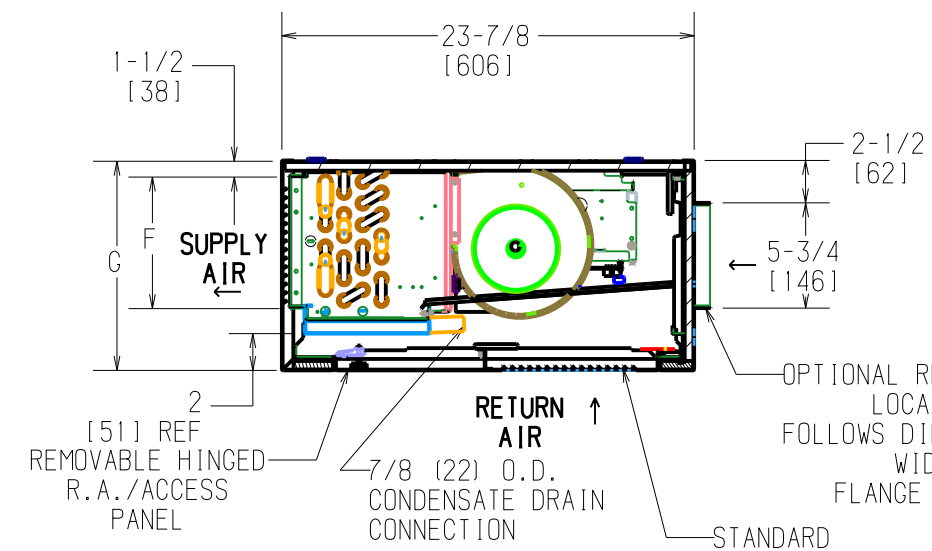
OPTIONAL "L" SHAPED DRIP LIP, SHIPPED LOOSE (NOTE 4)

CHILLED/HOT WATER SUPPLY & RETURN CONNECTIONS (SEE SUPPLEMENTAL DRAWING FOR COIL STUBOUT LOCATIONS)

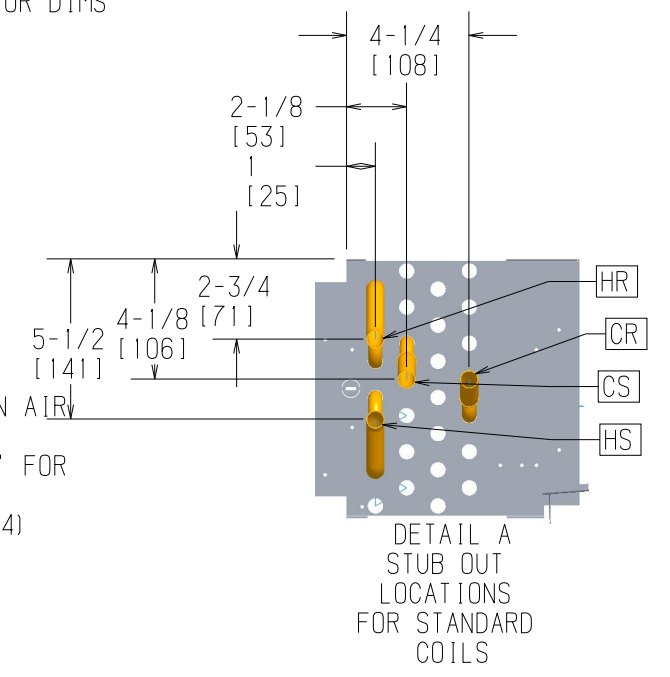


**PARTIAL REAR VIEW**

(TYPICAL BOTH SIDES) SEE VLV PKG SUPPLEMENT FOR DIMS



**RIGHT SIDE VIEW**



- NOTES:
1. RH SHOWN, LH OPPOSITE.
  2. ALL DIMENSIONS ARE +/- .25 (6). DRAWING NOT TO SCALE.
  3. PRODUCT SPECIFICATIONS ARE SUBJECT TO CHANGE WITHOUT NOTICE.
  4. DRIP LIP RECOMMENDED. PROVIDED WHEN VALVE PKG IS ORDERED.
  5. CONTROL BOX SIZE AND POSITION MAY VARY (CONSULT FACTORY)
  6. POSITION MAY VARY.
  7. SERVICE ACCESS IS LOCATED ON THE FRONT OF THE CONTROL BOX.
  8. KNOCKOUTS ON THE BOTTOM AND SIDE OF THE CONTROL BOX FOR INCOMING POWER CONNECTIONS
  9. TYPICAL SIZE 06 UNIT SHOWN WITH 1-MOTOR AND 2-BLWR - REFER TO TABLE FOR VARIATION.
  10. SEE VALVE PACKAGE SUPPLEMENTAL FOR PIPING TERMINATION.
  11. FIELD CONNECTION PIPES WILL BE SHIPPED LOOSE WITH VALVE PACKAGES.

Unit Model	Dimensions - Inches (Millimeters)						Quantity/Unit	
	A	B	C	E	F	G	BLWR	MOTOR
HWD 02	38 (965)	17-1/8 (435)	10-7/16 (265)	34 (864)	5-3/4 (146)	11 (279)	1	1
HWD 03	42 (1067)	21-1/2 (546)	10-1/4 (260)	38 (965)	5-3/4 (146)	11 (279)	1	1
HWD 04	48 (1219)	25-7/8 (657)	11-1/16 (281)	44 (1118)	5-3/4 (146)	11 (279)	2	1
HWD 06	53 (1346)	34-5/8 (879)	9-3/16 (233)	49 (1245)	6-3/4 (171)	12 (305)	2	1
HWD 08	60 (1524)	39 (991)	10-1/2 (267)	56 (1422)	6-3/4 (171)	12 (305)	2	1
HWD 10	74 (1880)	52-1/8 (1324)	10-15/16 (262)	70 (1778)	6-3/4 (171)	12 (305)	4	2
HWD 12	82 (2083)	60-7/8 (1546)	10-9/16 (268)	78 (1981)	6-3/4 (171)	12 (305)	4	2

**CAPITAL**  
COIL & AIR

TITLE

HORIZONTAL CABINET (HWD)

DWG NO

DRAWN	DATE	APPROVED	DATE
-------	------	----------	------