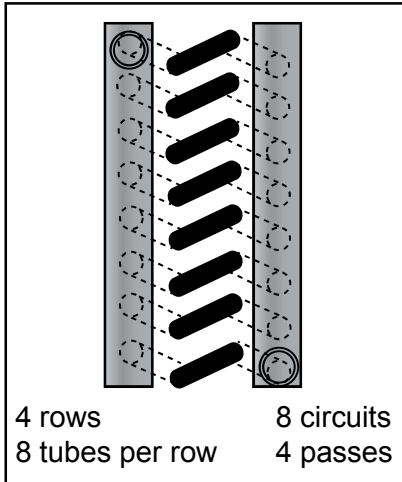


Typical Coil Circuiting

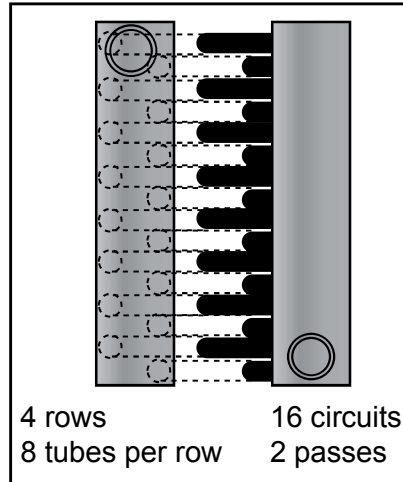
Circuitry is the ratio of water inlet tubes to total number of tubes in the first row.

Note: 1 row, full-circuit coils have opposite end connections!

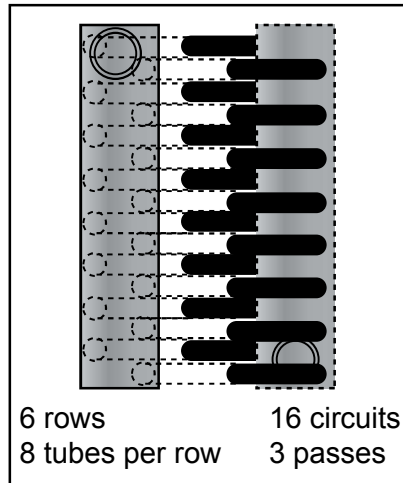
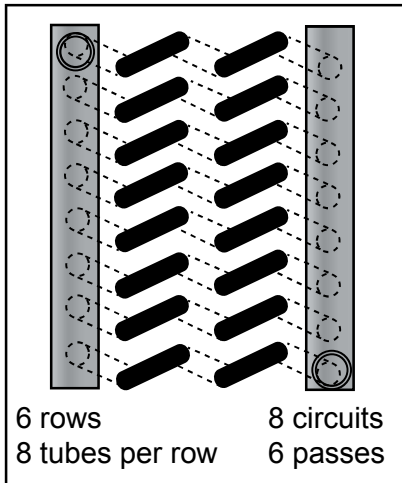
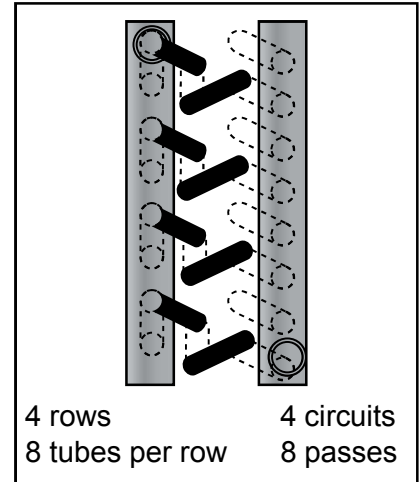
SINGLE SERPENTINE



DOUBLE SERPENTINE



HALF SERPENTINE



opposite end connections shown

